

KW-Type Sprockets

Friction Drive



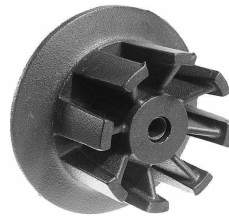
KW 80

Size: 80
Flange: 125
Weight: 1,3 KGS
Bore: 25-40
NOT splittable



KW 100

Size : 100
Flange: 150
Weight: 2,6 KGS
Bore: 25-40
NOT splittable



KW 115

Size : 115
Flange: 165
Weight: 3,5 KGS
Bore: 25-40
NOT splittable

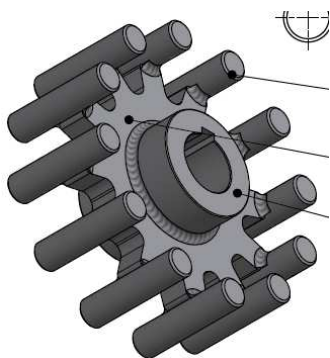


KW 160

Size : 160
Flange: 215
Weight: 5,2 KGS
Bore: 25-45
Splittable

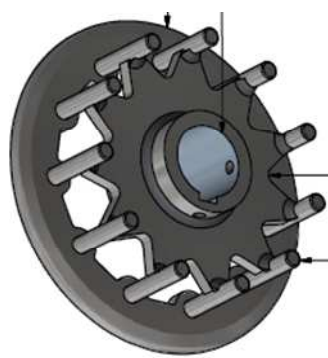
Welded Sprockets

Custom made



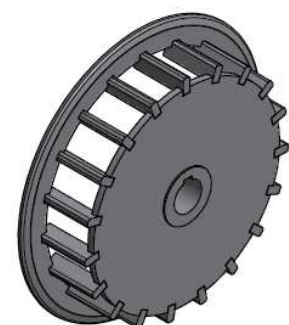
STEEL / STAINLESS STEEL

Custom Made sprocket without flange, for centre belts. All pitches and diameters available.



STEEL / STAINLESS STEEL

Custom Made sprocket with a flange, for side belts. All pitches and diameters available.



STEEL / STAINLESS STEEL

Custom Made sprocket with a flange, for side belts. All pitches and diameters available.