

# KW-Type Sprockets

## Friction Drive



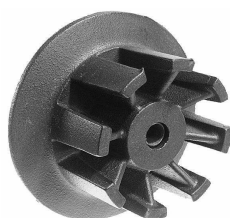
**KW 80**

Size: 80  
Flange: 125  
Weight: 1,3 KGS  
Bore: 25-40  
**NOT splittable**



**KW 100**

Size : 100  
Flange: 150  
Weight: 2,6 KGS  
Bore: 25-40  
**NOT splittable**



**KW 115**

Size : 115  
Flange: 165  
Weight: 3,5 KGS  
Bore: 25-40  
**NOT splittable**

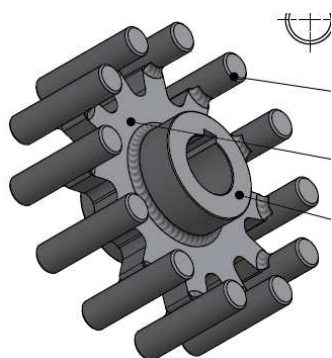


**KW 160**

Size : 160  
Flange: 215  
Weight: 5,2 KGS  
Bore: 25-45  
**Splittable**

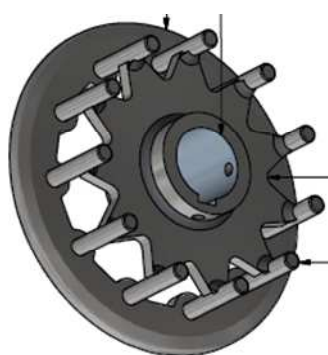
# Welded Sprockets

## Custom made



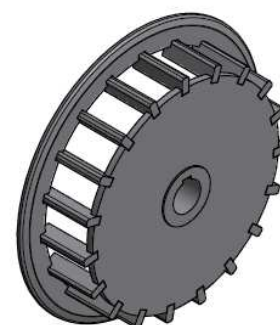
### STEEL / STAINLESS STEEL

Custom Made sprocket without flange, for centre belts. All pitches and diameters available.



### STEEL / STAINLESS STEEL

Custom Made sprocket with a flange, for side belts. All pitches and diameters available.



### STEEL / STAINLESS STEEL

Custom Made sprocket with a flange, for side belts. All pitches and diameters available.